

GALLON PISTON FILLERS/DEPOSITORS

Imperial Gallon SP-160

Twin Imperial Gallon 2P-160 Models

The Hinds-Bock standard single and twin gallon fillers/depositors are especially designed for the institutional packer. Easy to clean and operate, versatile and gentle on all products, they provide immediate cost-saving results. Large port openings permit filling of chunky ingredients without crushing. USDA and AG Canada approved.

PARTIAL PRODUCT LIST:

- Jams & Jellies
- Pie Fillings
- Cake Batters
- Flowable Dough's
- Fruit Cake Batters
- Fruit Puree
- Mayonnaise
- Salad Dressings
- Potato Salad
- Macaroni Salad
- Cole Slaw
- Burrito Fillings
- Meat Pie Fillings
- Stews
- Soups & Sauces
- Relish
- Mustard
- Ketchup
- Caramel
- Cream Topping
- Salsa
- Chili
- Baked Beans
- Dips & Spreads
- Shampoo
- Creams & Lotions

HOT AND COLD PRODUCTS

- Increase Yield
- Reduce Cost
- Improve Quality
- Improve Payback

E-mail: info@hinds-bock | Web: HINDS-BOCK.COM



Bottom Port SP-160 w/3" Horizontal Spout and 20 Gallon Hopper



2122 – 222ND Street S.E. | Bothell, WA 98021 | USA
Toll Free: 877.292.5715 | Tel: 425.885.1183 | Fax: 425.885.1492

Options Available to Match Process Requirements

Options Include: Conical (20, 40 gallon) hoppers, rectangular and divided hopper (on 2P-160), "U" shaped agitated hoppers on both models, change cylinders, wide variety of spouting including traveling and diving spouts, automatic & semi-automatic controls, level probes, agitators... all matched to customers' applications

STANDARD FEATURES

- ❑ Air powered
- ❑ 8 inches of height adjustment
- ❑ Locking swivel casters
- ❑ All stainless steel construction, including stand. Contact parts all food-approved materials.
- ❑ Fills from one ounce to 160 ounces from each spout with change cylinders



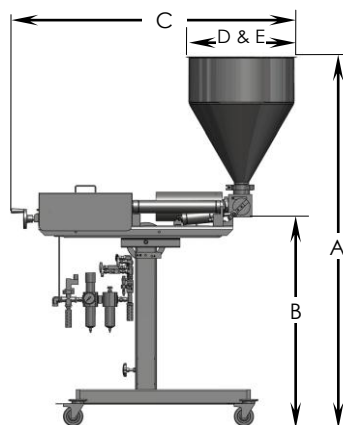
Front Port SP-160 w/2" Vertical Spout & Hopper Agitator



Front Port 2P-160 Tub Filling Line w/2" Vertical Blow-Off Spouts

SPECIAL ADAPTATIONS

- ❑ Depositing and filling on conveyors into containers of glass, metal, plastic and paper.
- ❑ 20-gallon hopper is standard on single gallon (SP-160). 40-gallon is standard on the twin (2P-160) filler/depositor. Various shapes and sizes available on both single and twin models.
- ❑ Special centering mechanisms are available to cleanly fill containers with narrow openings.
- ❑ Infinite speed controls are available. Repeat-stroke mechanism can be provided to automatically fill multi-gallon containers.
- ❑ Fully automatic, semi-automatic or hand filling. No container/no fill built into automatic system



Model Specifications - Gallon Fillers						
MODEL	A	B	C	HOPPER WIDTH		* REQ'D CFM
				D	E	
SP-160 SINGLE PISTON	59"-74"	33.5" 47.5"	57"	30.25"	N/A	8-10
2P-160 TWIN PISTON	Check with factory. Hopper variations affect dimensions					